

Display Hood Key # _____ Lower Cabinet Key # _____ Machine Serial # _____

Money Compartment Key # _____ Software Version _____ QC Initials _____

MAXIM™

TICKET VENDING MACHINES Operator's Manual



4200



8400



MAXIM Features

- √ Pull-tab ticket bins hold 800 tickets each.
- √ Bins accept ticket pricing up to \$100 in .05-cent increments.
- √ Ticket windows display each bin's game.
- √ Ticket prices are displayed with bright LEDs.
- √ Accepts \$1, \$5, \$10, and \$20 bills; plays nickels, dimes or quarters (if equipped with coin mechanism).
- √ Mounts to a wall (4200 only) or optional locking cabinet.
- √ Separately keyed money compartment.
- √ Credit display indicates amount of inserted money.
- √ Dependable electronic logic/software system that can be upgraded.
- √ Electronic auditing system includes non-resettable total dollar sales.
- √ Easily programmed for different tickets.

Specifications

Model 8400: 27" high x 43" wide x 15" deep. **Model 4200:** 27" high x 27" wide x 15" deep.
8400 Lwr.Cab: 36" high x 43.75" wide x 15.125" deep. **4200 Lwr.Cab:** 36" high x 25.5" wide x 15.125" deep.
 Operating Supply Voltage: 117 VAC 60 Hz System: 95 to 130 VAC.
 Operating Ambient Temperature: 50°F to 120°F. INDOOR USE ONLY.
 Relative Humidity: 20% to 90% non-condensing.
 Operating Attitude: Vertical +/- 3 degrees.
 Storage Temperature: -22°F to 160°F.
 Unit Weight: 203 lbs. (8400); 135 lbs. (4200) Base Cabinet: 75 lbs. (4200); 105 lbs. (8400).
 Materials: Cabinet & Doors—Painted cold rolled steel construction.
 Door Glass—Shatter resistant lexan with scratch resistant coating.
 Bins—Galvneal.
 Ticket Size: 1 7/8" x 2 5/8"(min.) to 1 7/8" x 4 1/4" (max.)

Table of Contents

	PAGE
OPENING THE VENDING MACHINE.....	2
SECURITY ALARM.....	2
PIN NUMBER.....	3
LOADING TICKETS.....	3
PROGRAMMING BINS.....	3
RUNNING REPORTS.....	4
SPECIAL FUNCTIONS.....	6
QUESTIONS & ANSWERS.....	8
BILL ACCEPTOR.....	11
COIN MECHANISM.....	12
CLEANING.....	12
WIRING DIAGRAM.....	13
WARRANTY.....	14

Operations

Opening, Loading Tickets, and Programming Bins

NOTICE:

- AFTER UNPACKING, CAREFULLY INSPECT THE MACHINE FOR DAMAGE.
- READ THESE INSTRUCTIONS THOROUGHLY BEFORE YOU INSTALL.
- REMOVE ALL PACKING – INSIDE AND OUTSIDE THE MACHINE – BEFORE YOU PLUG IT IN.
- USE ONLY INDOORS.

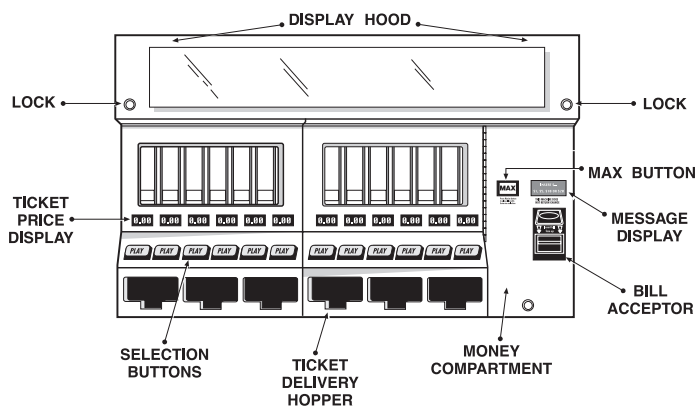
1. OPENING THE VENDING MACHINE

The keys to open the Maxim™ are attached to the electrical cord for shipping. To prevent access to the money compartment by unauthorized personnel, the Maxim™ is equipped with four locks. Two locks, one on each side of the display hood, are keyed alike and allow access to the ticket bin area. The other two locks, which allow access to the money compartment, are keyed alike, though differently from the display hood locks. (Figure 1)

Unlock the two locks on the front of the display hood. Pivot the display hood up and over the top. To open front doors, lift up on the door locking lever. (Figure 2)

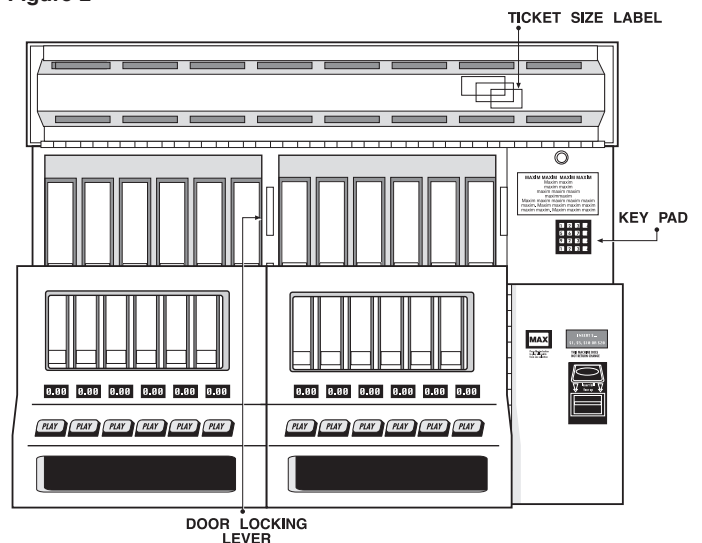
Remove the internal packing.

Figure 1



*On 8400, bins are numbered 1 through 12, left to right.
On 4200, bins are numbered 1 through 6, left to right.*

Figure 2



2. SECURITY ALARM

The Maxim™ is equipped with a security alarm designed to activate after the hood has been opened. Enter your three-digit Personal Identification Number (PIN) within 20 seconds, or the alarm will sound.

The manager PIN is factory set to 111. (See Section 3, next page.)

If you have already set a new manager PIN, but have forgotten it, call your service provider for a one-time manager access code.

NOW YOU'RE READY TO INSTALL YOUR MAXIM™. IF MOUNTING TO A WALL (Model 4200 only), SEE THE INSTRUCTIONS INCLUDED WITH THE WALL MOUNTING BRACKETS. IF MOUNTING TO A MAXIM™ CABINET, SEE THE SETUP INSTRUCTIONS INCLUDED WITH THE CABINET.

3. PERSONAL IDENTIFICATION NUMBERS (PIN)

1. Manager PIN

The manager PIN has access to all machine functions. **For security purposes, we recommend that you change the factory-set manager PIN 111**, by setting a new one of your own choosing.

2. Employee PINs

Employee PINs are limited to basic machine operations and cannot access machine option settings. One employee PIN – 999 – is factory set. The manager may assign up to nine employee PINs.

3. Changing, adding or deleting PIN information

To change, add or delete PIN information, enter the active manager PIN onto the keypad. Then press B–Misc. Information; then C–Settings Menu; then A–PIN Number Menu to access the menu at right (Figure 3). Now choose a function by pressing the corresponding key, and follow the instructions on screen.

A–Add PIN Number
B–Delete PIN Menu
C–Change Manager PIN
D–Quit

Figure 3

EXAMPLE: You wish to add a new employee PIN. From the PIN Number Menu, press A–Add PIN Number. Select an open position from the nine positions shown. (An open position is represented by xxx.) Press the keypad number 1-9 that corresponds with the open position. Now choose a 3-digit PIN number, and enter those numbers. Now enter the employee’s initials – say, G-R-A. Referring to the letters on each keypad number button, press 4, then the star key (*) once to select the first of the three letters GHI. Press 7, then * twice, to select the letter R. Press 2, then * once to select A. The new employee PIN and initials are now set.

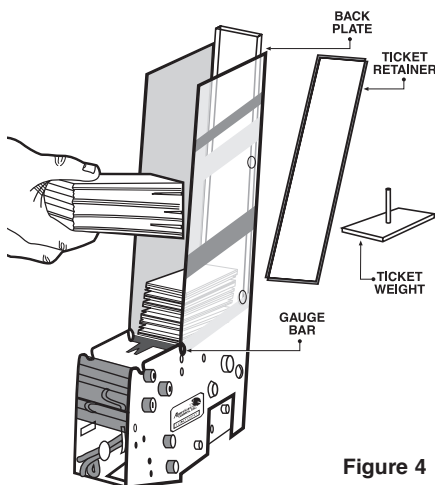


Figure 4

4. LOADING TICKETS

1. With machine doors open, remove ticket retainer and weight. (Figure 4)
2. Adjust back plate for various ticket sizes (short, medium, or long).
3. Load approximately 10 tickets into the bin, making sure tickets are behind the gauge bar. Continue loading tickets until approximately 1/4"-1/2" from the top of the column. (The column holds approximately 800 tickets.)
4. Place weight on top of tickets.
5. Replace ticket retainer, making sure the bottom of the retainer is behind the gauge bar.

5. PROGRAMMING BINS

...WHEN LOADING A NEW GAME INTO AN EMPTY BIN (changing price or size)

NOTE: LITE software users follow steps marked with "*".

1. With display hood open, enter PIN, then press A-Ticket Menu (Figure 5).
2. Press C-Zero Out Bin’s Inventory.
3. To zero out a bin’s inventory, press the corresponding PLAY button, then the # key. (Press # twice to cancel.)
- *4. From the Ticket Menu, press A-Load Tickets.
- *5. Press the corresponding PLAY button. Press # to continue.
- *6. Enter new ticket cost in .05-cent increments, followed by the # key. Press A if correct.

A–Load Tickets
B–Freely Dispense
C–Zero Out Bin
D–Quit

Figure 5

NOTE: Inventory must equal 0 before bin’s ticket cost can be changed.

7. Enter number of tickets put in bin followed by the # key. Press A if correct.
- *8. Select ticket size. Determine size by laying ticket on label on inside of top hood. Ticket does not have to be exact size.

Bin	Cards	Cost
006	800	2.00
Press # key to continue		

Figure 6

- *9. Check all entered information (Figure 6). Press # key.
- *10. Press B-Freely Dispense, then the corresponding PLAY button. Dispense 3-4 tickets to ensure proper vending (freely dispensed tickets do not affect inventory or reporting). Press # key. **BIN IS NOW READY TO BEGIN PLAY.**

...**WHEN ADDING TICKETS TO AN EXISTING GAME** (Not applicable to LITE software users)

1. With top hood open, enter PIN, then press A-Ticket Menu (Figure 5).
 2. Press A-Load Tickets.
 3. Press the corresponding PLAY button. Press # to continue.
 4. Enter number of tickets added to bin, followed by the # key. Press A if correct.
 5. Did the ticket size change? Press A for yes, B for no.
 6. If yes, determine correct ticket size by laying ticket on label on inside of top hood.
 7. Check all entered information (Figure 6). Press # key.
 8. Press B-Freely Dispense, then the corresponding PLAY button. Dispense 3-4 tickets to ensure proper vending (freely dispensed tickets do not affect inventory or reporting). Press # key.
- BIN IS NOW READY TO BEGIN PLAY.**

Running Reports

Utilizing the accountability functions of the Maxim™

Onscreen Reporting

For models *not* equipped with a printer, follow these instructions:

1. Open machine, enter your PIN and press D-Report Menu. You will be shown an instruction screen for scrolling onscreen reports (Figure 7). Press any key to continue.
2. Choose from Inventory, Sales, or Audit reports. (These reports are detailed below.) Using the A and B keys, scroll through report text four lines at a time.
3. When end of report is reached, press A to return to top of report or B to exit report.

ONSCREEN REPORTING

- A- to Scroll Up
- B- to Scroll Down
- *- to Exit Report

Figure 7

For models equipped with a printer, follow these instructions:

1. Open machine, enter your PIN, and press D-Report Menu.
2. Choose the report you wish to run. (Figure 8)

- A-Inventory Report
- B-Sales Report
- C-Audit Report
- D-Quit

Figure 8

Inventory Report
 Fri Oct 9 12 04:37:58 PM
 Machine ID: 0

Bin	Tickets	Cost	Dollars
1	0	0.00	0.00
2	0	0.00	0.00
3	0	0.00	0.00
4	0	0.00	0.00
5	0	0.00	0.00
6	0	0.00	0.00

Bin	ColCfg	Timing
1	1	200
2	2	200
3	3	200
4	4	200
5	5	200
6	6	200

Total Inventory Value:
 \$ 0.00
 Grand Total \$ 0.00
 Grand Total Cards: 0

Configuration Info
 Site: USA
 Platform: Charity
 Version 32.5-014
 Build Date: May 6 2012
 Build Time: 15:28:32
 RTC Trim: 32846
 GameID Tracking: Disabled
 BoardID:
 00000000X0000000
 00000000000000X0

Figure 9

A. INVENTORY REPORT (or Configuration Report for Lite software users.)

Shows current ticket inventory and value.

Press A to print.

Includes:

- Bin numbers
- Ticket inventory (not applicable to LITE software users)
- Ticket cost
- Inventory value
- Grand total sales (non-resettable)
- Grand total cards (non-resettable)
- Configuration information – contained in the lower half of the report:
 - Software version in use
 - Column configuration
 - Bin timing

Transaction Report
Dollars Input: 20
Quarters Input: 0
Dimes Input: 0
Nickels Input: 0
Total Input: 20.00

Bin 1 #0
Bin 1 \$0.00
Bin 2 #17
Bin 2 \$4.25
Bin 3 #0
Bin 3 \$0.00
Bin 4 #21
Bin 4 \$15.75
Bin 5 #0
Bin 5 \$0.00
Bin 6 #0
Bin 6 \$0.00
Total \$ 20.00

Transaction Report:

Shows the last transaction and how it was played.

Includes:

- Total money input
- Dollars played
- Quarters played
- Dimes played
- Nickels played
- Total tickets and money played, by bin number

Figure 14

Special Functions

Bin Configuration, Bin Lockout, Freely Dispensing Tickets, Machine Settings, LITE Software, Export Reports, LED Light Controls

1. BIN CONFIGURATION (Not applicable to Lite software users)

The Maxim™ lets you configure multiple bins as one bin. This feature can be used to load an entire deal – or game – into the machine without having to reload, even if it is a large deal. For example, say you want to load an entire 2800-count deal. Since each bin holds up to 800 tickets, you configure bins 1-4 together as one column.

Now you would follow these steps:

1. Bins to be configured must first be zeroed.
2. Press B–Misc. Info., then C–Settings Menu, then A–Machine Options, then A–Set Column Config.
3. Press #, then on the keypad press the number of the bin you wish to change. (Bins are numbered left to right, starting with No. 1 at far left.) In this case you want to change bin No. 2. Press # again.
4. Enter bin number you wish to change it to – in other words, the number of the first bin in the configuration. In this case, you would press No. 1 on the keypad. Press #. This displays the configuration, the first two entries of which should read 1:1 and 2:1. Now press # again.
5. Repeat for bin 3 and 4. When finished press #, then the star key (*).
6. Now program the first bin in the configuration – bin No. 1 in this case – for all bins' tickets. All bins will take on the characteristics of the first bin (inventory, ticket cost, size, etc.)
7. Bins are now configured.

NOTE: Tickets will vend sequentially, one from each bin, until all bins are empty. Vending order will not change, regardless of which bin button is played. (This remains the case when one or more bins in the configuration runs out of inventory. The LED display goes blank, but the button remains active.)

2. BIN LOCKOUT

Price LED will go out if one of the following happens:

Out of Inventory: (Not applicable to LITE software users) If a bin has run out of inventory, open the machine and add more tickets to that bin. Then enter the amount of tickets added by using the Add Inventory function from the Ticket Menu. Now the price LED should come back on.

Ticket Jam: Open the machine, clear the ticket jam, and free vend 3-4 tickets. Price LED should come back on.

3. FREELY DISPENSING TICKETS

Use this function to clear ticket jams, or to count tickets for physical inventory. (Ticket count is displayed on screen and in audit report.) From Main Menu, press A-Ticket Menu; then B-Freely Dispense. Tickets that are freely dispensed do not affect inventory or reporting. Be sure to return freely dispensed tickets to the proper bins.

4. MISCELLANEOUS MACHINE SETTINGS

From the Main Menu, press B-Misc Info to access the following display:

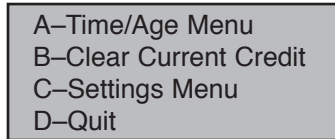


Figure 15

Time/Age Menu: Press A to set machine time and date, press C to set the legal age to play for your state, or Press B to set “Time Day Ends” to be used in reports. “Time Day Ends” is the time of day at which the business day ends.

Clear Current Credit: Press B.

Under Settings Menu (C), access the following settings:

From Settings Menu press A-Machine Options, then A-set Column Configuration or B-Bin Timing.

Set Column Configuration: See Page 6, item No. 1.

5. “LITE” SOFTWARE

Some Maxims are equipped with the LITE software version. LITE software was developed to simplify operation of the Maxim by increasing its user-friendliness. If your Maxim™ is equipped with LITE software, please note the following:

- Inventory features are not available.

6. EXPORT REPORTS

The MAXIM™ has the ability to export, or “download” all printable reports to a USB Stick (thumb drive). The reports can then be opened in a spreadsheet application for later review.

- Open machine, enter your PIN and press D-Report Menus.
- Insert USB Stick in the USB port located on the CPU Board (see CPU layout in Block Diagram on page #13)
- Select C-Audit Reports and then C-Export Reports.
- The transfer of data files from the CPU to the USB Stick will be completed within a few seconds.
- You will be prompted to “Erase Current Deposit Report?” when the export or “download” is complete.
- If you select “A) Yes” it will be necessary to remove the monies from the machine as the current Shift Sales Data will be reset to zero.
- If you select “B) No” the Shift Sales Data will not be reset and the monies should not be removed from the machine at this time.
- After the selection, you will be prompted “Successfully Exported Data Files” and the message screen will return to the Report Menu. Select “D-Quit” and remove the USB stick from the USB port on the CPU.
- To review Report Data, insert the USB Stick into a USB port / reader on your laptop or computer and open desire report file(s). Adjust column width and/or row height as needed to review data.

Note: The MAXIM PTVM will create file folders based on the machine’s unique serial number. A USB Stick can store/hold data from multiple machines. Report files exported from a single machine within or on the same business day will over-write existing Report Files from that date. Report Files exported on subsequent or later dates will be added to the existing file folder.

7. LED Light Controls

The MAXIM™ is equipped with programmable flashing LED lights in the ticket compartment and hopper(s) to enhance the machine's visibility.

- Open machine, enter your PIN and from the main menu press B-Misc Information.
- Select C-Settings Menu, followed by C-LEDCntrl/AutoReport and then A-Light Control.
- Program (select) the desired LED setting:
 - » Select 0 (0=Off) to turn off lights (lights will remain “Off” until reprogrammed for different setting).
 - » Select 1 (1=Steady) for lights to be set continuously “On”.
 - » Select 2 (2=Flash Slow) to set a slow, continuous flash.
 - » Select 3 (3=Fast) to set a fast, continuous flash.
 - » Select 4 (4=Sequence) to set a combination of Steady, Slow & Fast flashing LEDs.

Note: When the LEDs are programmed to a flashing pattern and money is inserted into the machine (credit applied to machine) the LEDs will discontinue flashing and “hold” on a steady or continuously “On” setting until the credit is played out or cleared from the machine – at which time the LEDs will revert back to their programmed (flashing) pattern. When the LEDs are programmed to a flashing pattern and the machine hood door is opened and a valid PIN is entered (as when accessing the ticket and/or money compartments) the LEDs will discontinue flashing and “hold” on a steady or continuously “On” setting until the machine door is closed. If the LEDs are programmed to the “Off” setting, the LED lights will remain off at all times until they are reprogrammed for a different or “On” setting as noted above.

Q&A

Answers to commonly asked questions.

1. GENERAL

Q. How do I determine if my Maxim™ is equipped with the LITE software version?

A. The software version is listed on the front page of this manual.

Q. Can I reset the grand total to zero?

A. No. The grand total remains in battery back-up memory for 10 years.

Q. Will credit on the Maxim™ disappear when the machine is unplugged?

A. No. Memory is retained for 10 years without being plugged in.

Q. Why do the price display lights go off on some bins?

A. This happens when a ticket jams or the inventory reaches 0. Run an inventory report.

Q. Should I unplug the Maxim™ after business hours?

A. You may, but it is not necessary.

Q. If I unplug the Maxim™, will it hurt anything?

A. No. Inventory, sales, and other important information is saved in battery back-up memory.

Q. If the alarm sounds, do I have to call the police or security?

A. No. The alarm alerts you only of any unauthorized entry. This is printed to the audit report.

Q. How accurate is the inventory?

A. It is accurate only if the correct inventory is added and free vended tickets are returned to correct bins.

Q. What do I do if I forget my Personal Identification Number (PIN)?

A. Contact your service provider for a one-time manager PIN. Enter this PIN, access the PIN Number Menu, and immediately select a new manager PIN.

Q. Can the Maxim™ be set to dispense four tickets for \$1?

A. No. One ticket per transaction only, unless the MAXIM button, which plays up to 20 tickets, is used.

Q. Does the Maxim™ require a surge protector like most computers?

A. No, but it is recommended.

Q. Is a grounded outlet required?

A. Yes. Static electricity absorbed from the machine needs a ground to dissipate the energy and to provide electrical safety.

Q. What do I do when I freely dispense tickets to turn on the price display light, and then a customer plays and the light goes back off?

A. Run an inventory report to check for zero inventory. If OK, freely dispense to clear any ticket jam.

Q. Can I get an extra set of keys?

A. Extra keys can be ordered from your service provider.

2. MENUS/PROGRAMMING

Q. How do I set the time?

A. From the main menu, choose "Machine Options" then "Time Menu" and follow the instructions on screen.

Q. What does "Set Time Day Ends" mean?

A. This feature allows you to set a time other than midnight for your business day to end.

Q. How do I clear credit?

A. From the main menu, choose "Machine Options" then "Clear Current Credit."

Q. Can I set ticket price to 10 cents?

A. Yes. Ticket price must be in .05-cent increments.

Q. How do I shut off the alarm?

A. Input the correct PIN.

Q. Why does the Maxim keep asking me to "Enter PIN #"?

A. It has not received a valid PIN. If you have forgotten your PIN, call your service provider for a one-time manager PIN.

Q. What is bin configuration?

A. With the Maxim™, you have the ability to configure several bins together to act as one column.

3. TICKETS

Q. Does it matter which way the tickets are loaded?

A. No, but tab side down provides a better gripping surface for the belt.

Q. What is ticket size?

A. Each bin can be set to vend short, medium, or long tickets by adjusting the plate at the back of the bin. To determine ticket size, use the sizing label on the inside of the top hood.

Q. Does the bar code or serial number have to come out first?

A. No.

Q. How do I add tickets into inventory?

A. Open top hood, enter PIN, then choose "A-Ticket Menu" then "A-Load Tickets" and follow the instructions.

Q. Do I have to put tickets in every bin?

A. No.

Q. Does free vending subtract from inventory?

A. No. Return free vended tickets to the proper bins.

Q. Does the bin have to have inventory to vend tickets?

A. Yes, the inventory report must show tickets in inventory before tickets will vend.

Q. If I use a "live" ticket in the display window, do I count it in inventory?

A. It is recommended.

Q. How do I correct my inventory if I accidentally zero a bin?

A. When a bin is zeroed, it is saved to the audit report. Run the audit report to find out the quantity zeroed. Add this quantity back into the correct bin's inventory.

Q. What do I do if a bin sells out and the inventory says there are tickets left?

A. Zero the bin, then add correct inventory.

Q. What do I do if the inventory reads 0 and there are tickets remaining?

A. Add the tickets to inventory.

4. REPORTS

Q. How do I run a deposit report?

A. Open hood, enter PIN, then press “D-Report Menu” then “B-Sales Reports” then “A-Deposit Report.” (Remember, this report resets its amounts to zero each time it is ran.)

Q. How do I run an inventory or configuration report?

A. Open hood, enter PIN, then press “D-Report Menu” then “A-Inventory Report.”

Q. I don't want to use the inventory feature. Can I turn it off?

A. No. The inventory feature is required, as it adds to the Maxim™'s accountability.

Q. How is “shift” defined in the context of reports?

A. A “shift” is the period of time that starts when the deposit report is ran and ends when it is next ran.

Q. What is an audit report?

A. This report tells when the Maxim™ is opened or closed, when prices or inventory are changed, etc.

Q. When I add tickets, should I run an inventory report?

A. Yes. This way you can keep a hard copy for bookkeeping purposes. (Printer models only.)

Q. When removing money from the machine, which report should I run?

A. The deposit report. It resets its sales totals to zero each time it is ran. However, the grand total never resets.

Q. Does the Monthly Report cover a calendar month?

A. No. It covers the current week plus the previous three weeks.

5. BILL ACCEPTOR

Q. How do I clear a bill jam?

A. Open money door, remove bill box, press release rod on bottom of transporter and remove.(See Figure 17b)

Q. Where is the flashing light on the bill validator?

A. Remove the coin box and look up at the bottom of the bill acceptor, near the release rod.(See Figure 17b)

Q. Can the bill acceptor be set to accept bills face up in either direction?

A. No.

Q. When my Maxim™ won't accept bills, will it still accept coins?

A. Yes. The bill validator works independently of the coin mechanism.

Q. How many bills will the bill box hold?

A. Approximately 600 bills.

6. PRINTER

Q. What do I do when the display screen reads “Printer Error”?

A. Clear any paper jams. Make sure the printer has paper loaded. If it does, unplug the Maxim™ for 10 seconds to reset. If printer won't reset, unplug Maxim™ printer cable from the back of printer, and plug in the Maxim™. Reports will print on the display screen.

Bill Acceptor

Features, Operation, Cleaning

1. FEATURES

The JCM© DBV-400 Series Bill Acceptor included in your MAXIM™ features:

- High Security.
- High performance Validation Sensors for precision Banknote processing and acceptance rates.
- High impact Backnote cassette.
- Modified design guards against exposure to liquids and dust.
- Field service-friendly - USB Service Port and DIP Switches are on the Unit's rear panel.
- Sleep Mode option provides minimal power consumption in idle status.
- Illuminated Bezel and color LED indicators for simple fault diagnostics.

Figure 16 illustrates the primary components of the DBV-400 Series Bill Acceptor.

1. 18-pin Molex Connector & 4-pin USB Interface Connector (on left side)
2. Mini B - USB Maintenance Port (on interior Validation/Sensor area)
3. DIP Switch Block SW1 & SW 2 (on interior Validation/Sensor area)
4. Banknote insertion slot
5. LED status indicators
6. Validation Guide Module
7. Cash Box (at rear)

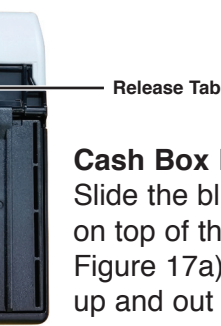
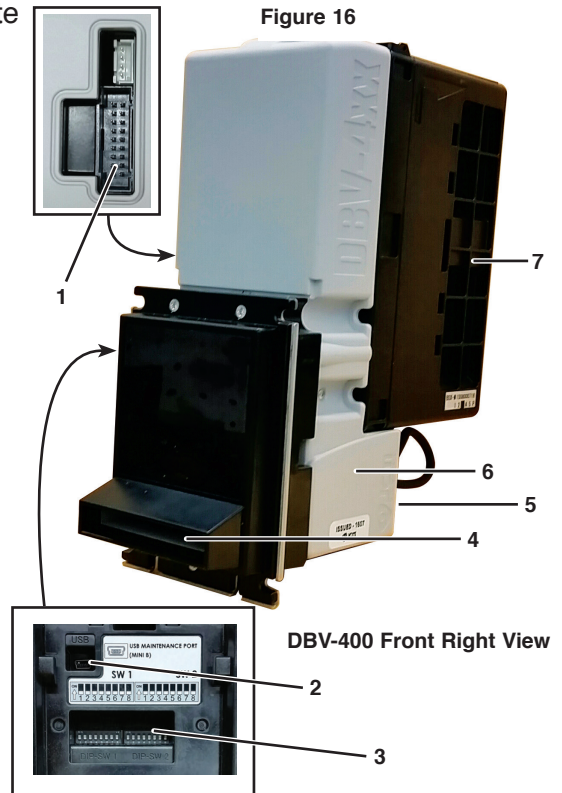


Figure 17a

Cash Box Removal

Slide the blue release tab located on top of the DBV-400 back (See Figure 17a) and pull the Cash Box up and out to remove it.

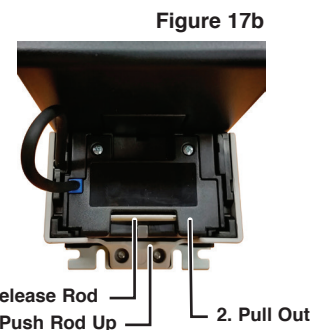


Figure 17b

3. CLEARING JAMS AND CLEANING

Trapped bills, debris or dirt can result in poor bill acceptance or bill rejection. Remove bill box and Validation Guide Module (Figure 17b) to access bill path and clear any trapped bills or debris. **With machine unplugged from power source** - clean bill path plastic parts, rollers, and belts with a lint-free cloth moistened with a mild soap and water solution. **Do not use petroleum based cleaning solvents, alcohols, thinners, abrasive materials, scouring pads or stiff brushes for any cleaning.** The bill acceptor never requires lubrication.

Coin Mechanism

Features and Cleaning

1. FEATURES

The NRI G-13 mft Acceptor* included in your Maxim™ features:

- Parallel opening flight deck that greatly reduces coin jams.
- The latest coin validation technology, which ensures high acceptance of good coins while providing high security for prevention.
- A versatile modular design.

*Note: Coin mechanism make and model may vary.

2. CLEANING

WARNING: Always unplug the Maxim™ BEFORE cleaning the coin mechanism. Clean the coin pathway (shaded portion of Figure 18) regularly with a soft damp cloth. Take care that the surfaces are dry before closing the lid of the unit, and that any cleaning fluid is kept clear of the Printed Circuit Board (PCB) assembly during cleaning. NEVER USE SOLVENTS OR ABRASIVE CLEANERS TO CLEAN THE MECHANISM, AS THESE WILL DAMAGE THE SURFACES.

Now plug the Maxim™ back in, and check to see that coins are being accepted.

Note: If you switch the machine on when the unit is not fully closed, coins will be rejected, even if you then close the lid. If this occurs, unplug the Maxim™ for at least 15 seconds, then close the lid and switch the power back on again. Check to see that coins are being accepted.

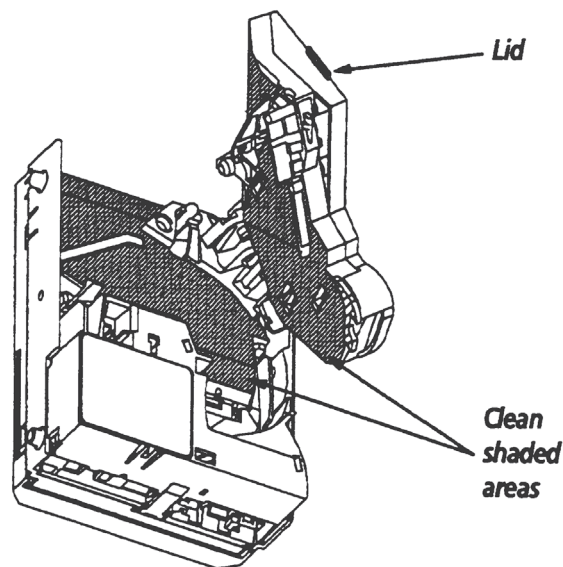


Figure 18

Maxim™ Cleaning Procedure

1. CLEANING THE OUTSIDE

The Maxim™ may be cleaned with any household, NON-ABRASIVE cleaning product.

2. MODULES

Paper dust is created as tickets are vended through the ticket modules. This dust can best be removed periodically (depending on the amount of play) by the use of a small portable vacuum cleaner or compressed air blower. In the event of extreme accumulation, it may be necessary to remove the ticket modules for cleaning.

3. BELTS

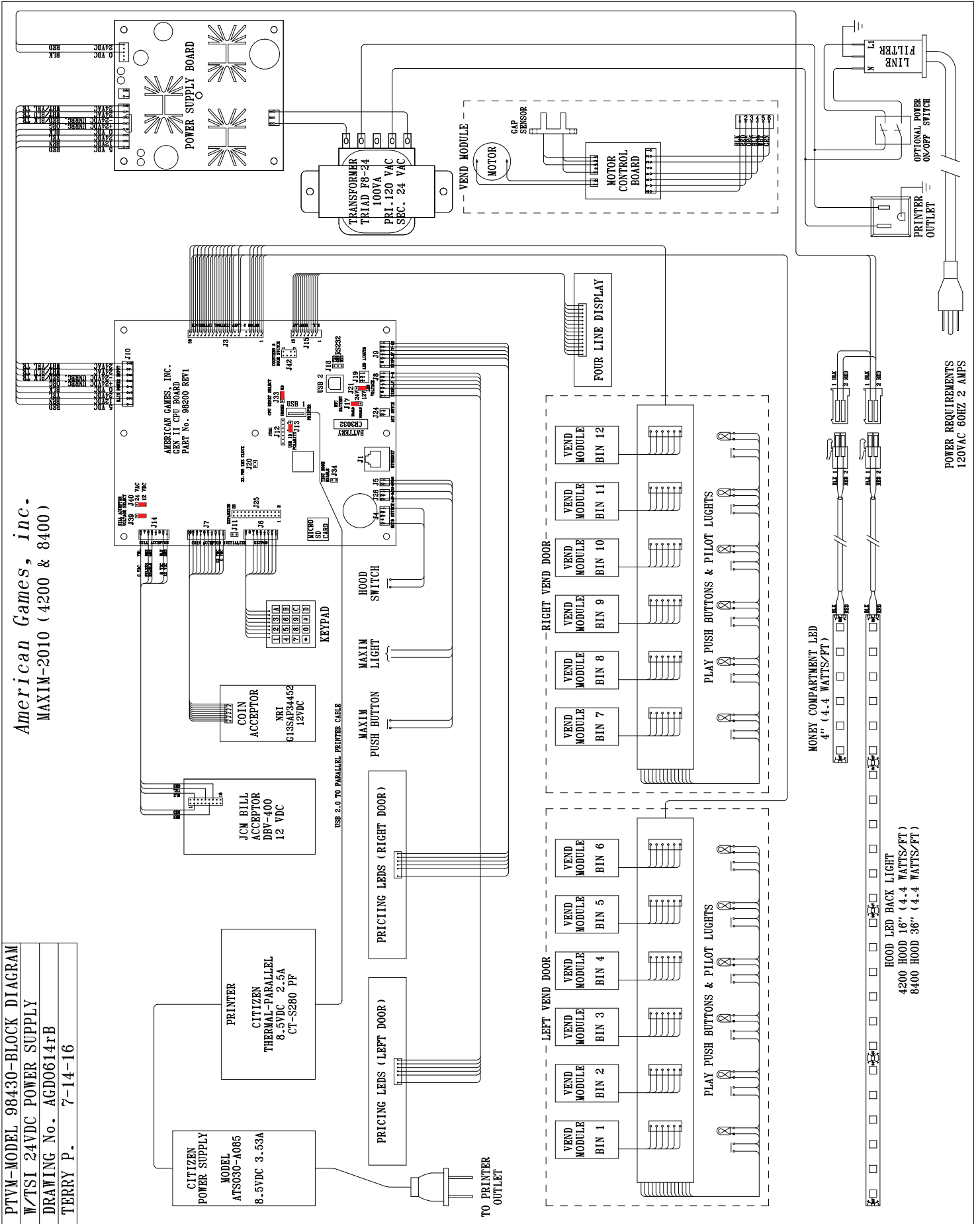
Clean belts with 98% isopropyl alcohol and light scouring pad.

***For Tips and Tricks - check out our training videos on our website:
www.americangamesinc.com**



PTVM-MODEL 98430-BLOCK DIAGRAM
 W/TSI 24VDC POWER SUPPLY
 DRAWING No. AGD0614rB
 TERRY P. 7-14-16

American Games, inc.
 MAXIM-2010 (4200 & 8400)



MAXIM

Limited Warranty

American Games, warrants the Maxim machine against defects in material or workmanship for a period of one (1) year from the date of the original purchase as follows.

PARTS. In the event of the failure of any part of the Maxim machine through defect in material or workmanship during the period of the warranty, new or rebuilt parts from an equivalent model will be exchanged for such defective parts for said one (1) year period from the original purchase.

LABOR. Labor for the removal and installation of any such defective parts will take place at a service facility determined at the sole discretion of American Games, and will be provided for said one (1) year warranty period by American Games, or its authorized representative.

Carry-in or ship-in expense to reach said designated service facility will be the sole responsibility of the purchaser.

This warranty applies to the original purchaser only. Your warranty period will begin on the ship-out date from the American Games manufacturing facility. A purchase receipt or other proof for date of original purchase will be required before performance under this warranty is rendered.

This warranty is limited solely to failure due to defects in materials or workmanship that occurred during normal use of the Maxim machine. This Warranty does not cover damage that occurs in shipment or failures which result from accidents, misuse, abuse, neglect, lack of normal maintenance, mishandling, misapplication, alteration, modification, malfunction caused by faulty tickets, service by anyone other than an authorized American Games, representative, or damage that is attributed to acts of God.

LIMITS AND EXCLUSIONS. There are no express warranties except as listed above. This warranty may be superseded based on contractual terms and the expressed terms therein and other terms implied through special purchases.

AMERICAN GAMES, SHALL NOT BE LIABLE FOR INCIDENTAL OR CONSEQUENTIAL DAMAGES RESULTING FROM THE USE OF THIS PRODUCT, OR ARISING OUT OF ANY BREACH OF THIS WARRANTY. ALL EXPRESS AND APPLIED WARRANTIES, INCLUDING THE WARRANTIES OF MERCHANTABILITY AND FITNESS FOR A PARTICULAR PURPOSE ARE LIMITED TO THE APPLICABLE WARRANTY PERIOD SET FORTH ABOVE. Some states do not allow the exclusion or limitation of incidental or consequential damages, or limitations on how long an implied warranty lasts, so the above exclusions or limitations may not apply to you.

This warranty gives you specific legal rights and you may also have other rights which vary from state to state.

If a problem with the product develops during or after the warranty period, you may contact American Games, or its authorized representative.

For additional information, please contact:



504 34th Avenue Council Bluffs, Iowa 51501

or call:
1-866-266-2949



**Automatic Pull-Tab Counting Machine
By American Games, Inc.**



***The fastest, most accurate pull-tab
tab counting method around!***

- *Virtually Zero Percent Error*
- *Unequaled Speed*
- *Quiet Action*
- *Compact Design*
- *Trouble-Free Maintenance*
- *Simple Setup*

You'll Never Again Have to Count by Hand!

	<u>Hand Counting</u>	<u>Accucounter</u>
1 Hour's Work	About 3,000 tickets	25,800 tickets
8 Hour's Work	About 24,000 tickets	206,400 tickets
416 Hours/Year (8 Hours/Week)	About 1,248,000 tickets	10,732,800 tickets

QUALITY YOU CAN COUNT ON!



**504 34th Avenue • Council Bluffs, IA 51501
www.americangamesinc.com**