

# Jake's Corner™ Arch Support Technology (AST)

*Jake's Corner* is a fully removable element that strengthens the pole structure of your tent.

As part of Sierra Design's *Arch Support Technology (AST)*, the key to the success of *Jake's Corner* is its ability to support and brace the tent's long arch poles.

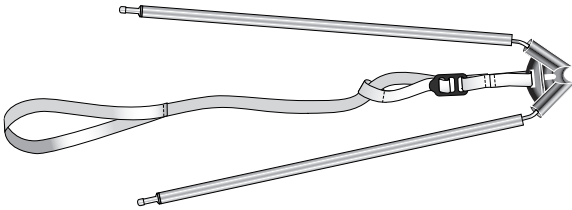


## How to Attach Jake's Corner™

**Note:** To remove, follow these steps in reverse.

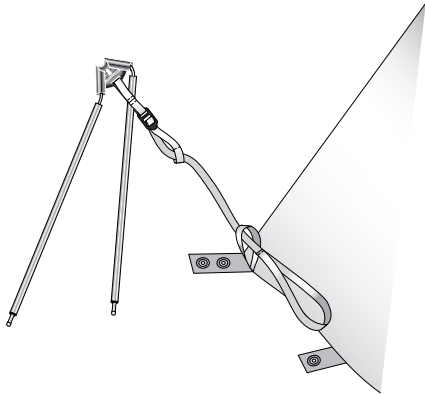
**1.**

Pull poles out of sockets. It is not necessary to remove them entirely.



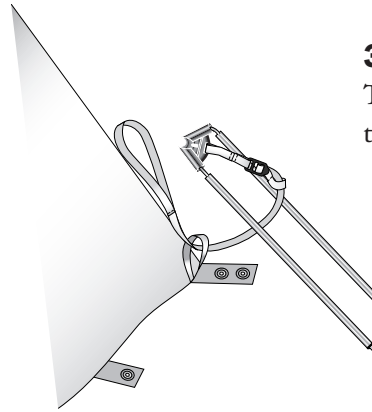
**2.**

Insert looped end of *Jake's Corner* webbing strap into the orange hitch loop on the stake pull-out.



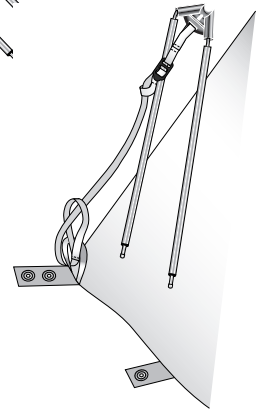
**3.**

Thread plastic piece through looped end.



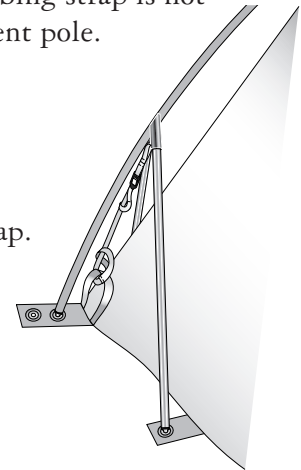
**4.**

Pull through.



**5.**

Insert poles back into their sockets in the plastic piece. Insert poles tips into grommets, making sure the webbing strap is not twisted around the tent pole.



**6.**

Tighten webbing strap.



### How It Works

*Jake's Corner*™ increases a tent's ability to withstand high winds without adding heavy structural support. High winds cause a tent's poles to pivot on their tips, forcing them to the ground and collapsing the tent. *Jake's Corner* braces the tent poles low to the ground, making rotation impossible.

### Effective Use

It is recommended that you attach or remove *Jake's Corners* from your tent before your camping trip begins,

to avoid losing any of the pieces.

The tightening strap on each *Jake's Corner* only has to be a bit taught in order for it to function properly. **DO NOT OVERTIGHTEN.** Doing so can cause the ladderlock buckle to be overstressed.

### Caring For Your Jake's Corner

The webbing and poles should be dry and clean before storing. Do not machine wash or dry the webbing strap or poles (or the tent).