

SIERRA DESIGNS

SIRIUS



Your Sierra Designs SIRIUS tent is very easy to pitch and maintain. Follow these instructions to pitch your tent quickly, safely and easily.

SIRIUS TENT CONTENTS

Tent Body & Rainfly:	1	Guy Cord:	4
Tent Poles:	2	Pitching Instructions:	1
Tent Stakes:	6*	Pole Sack:	1

* Sierra Designs tents include stakes for pitching the body and fly under normal conditions. Additional stakes may be required in severe conditions.

First Pitch

In order to familiarize yourself with your new tent, we suggest that you "test pitch" it before embarking on a wilderness trip.

Select a Site

Look for a level spot that is protected from the wind in order to ensure sleeping comfort. Clear the area of debris such as sharp stones and sticks which might abrade or puncture the tent floor. Choose an area that will drain well when it rains.

Unfurl the Tent and Assemble the Poles

Unfurl the tent and lay the tent floor flat on the ground with the door unzipped. Carefully unfold the shock corded pole sections and allow them to slide together. Do not allow the poles to snap together: This can lead to serious pole damage. Make certain that the insert of each pole section is fully inserted into the next pole section (Figure 1). You will have two poles of equal length.

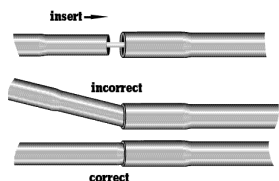
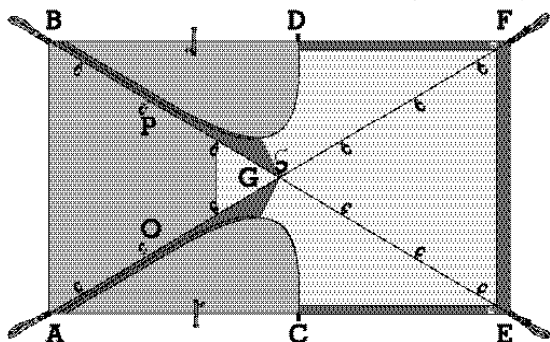


Figure 1: Correct Pole Assembly

Stake out the Tent Floor

Although the *Sirius* is a completely freestanding tent, we suggest that you always stake out the floor for greater safety and stability, especially in high winds. First stake down the webbing loops at the back of the tent at points E and F (Figure 2). Then move to the front of the tent and pull the webbing loops at points A and B until the floor is square and semitaught and stake them down. Staking out points C and F is recommended in especially high winds.

Figure 2: Tent Body (top view)



Erect the Tent

Insert the metal tip of pole #1 into the grommets at points B and E. Clip all the swift clips with the orange webbing along the B-E axis. Insert the metal tip of pole #2 into the



grommets at points A and F. Clip all the swift clips with the gray webbing along the A-D axis. Finally, clip poles #1 & #2 into the Clip-Loc (Figure 3) and wrap the bungee cord in the direction crossing the open gate of the clip. Wrap the cord around the pole intersection 2-4 times, depending on desired firmness and then slide the cord into the groove on the backside of the Clip Loc to hold it taut (Figure 3).

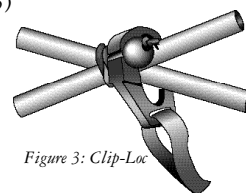


Figure 3: Clip-Loc

Fly Sheet

At points E, F, J, & I are 1" side-release "fly clip" buckles. (Figure 5) Drape the flysheet over the tent so the orange "fly clip" attachment on the rainfly at point J is aligned with the orange "fly clip" attachment at point P on the tent body. By clipping the orange webbing strap on the rainfly to the orange webbing strap on the body, you are guaranteed a fast, proper, rainfly setup every time. Attach the fly to the tent poles via Velcro located at points I, J, L, & M. Clip the remaining "fly clip" buckles at points E, F, & I and pull the straps at points E & F until the fly is taut. (Figure 4). Now pull point H out until the rainfly is taut and stake to the ground. Do the same with point K. You can use a guy line to guy out the fly at points L, M, & N for increased stability and ventilation.

The long Velcro straps located at points I & J are to allow you to roll back your rainfly by unclipping points E & F to give you maximum ventilation and night sky viewing.

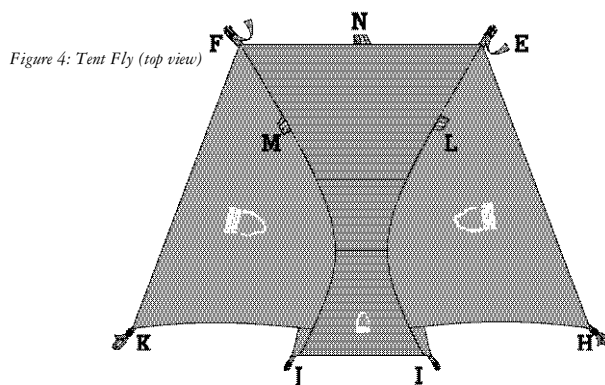


Figure 4: Tent Fly (top view)

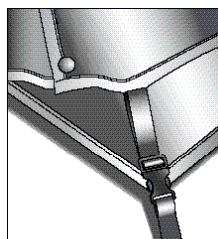


Figure 5: Fly Clip

Ventilation

With the rainfly on, several things can be done to increase airflow. The best airflow through the tent is obtained by pitching the tent with points A & B into the wind, with points L, M, & N guyed out. (In heavy winds it is suggested to pitch tent with points E & F facing into the wind)