



Your Sierra Designs LOOKOUT 2.0 CD (Computer-aided Design) tent is very easy to pitch and maintain. Follow these instructions to pitch your tent quickly, safely and easily.

LOOKOUT 2.0 CD TENT CONTENTS

Tent Body & Rainfly:	1	Line Tighteners:	5
Tent Poles:	3	Pitching Instructions:	1
Tent Stakes:	9*	Stake Sack:	1
Guy Cord:	5	Pole Sack:	1

* Sierra Designs tents include stakes for pitching the body and fly under normal conditions. Additional stakes may be required in severe conditions.

First Pitch

In order to familiarize yourself with your new tent we suggest that you "test pitch" it before embarking on a wilderness trip.

Select a Sight

Look for a level spot that is protected from the wind in order to ensure sleeping comfort. Clear the area of debris such as sharp stones and sticks which might abrade or puncture the tent floor. Choose an area that will drain well when it rains.

Unfurl the Tent and Assemble the Poles

Unfurl the tent and lay the tent floor flat on the ground with the door unzipped. Carefully unfold the shock corded pole sections and allow them to slide together. Do not allow the poles to snap together: This can lead to serious pole damage. Make certain that the insert of each pole section is fully inserted into the next pole section (Figure 1). You will have 2 long poles of equal length, and 1 prebent pole.

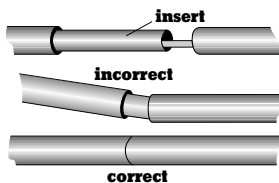


Figure 1: Correct Pole Assembly

Stake Out the Tent Floor

The Lookout 2.0 CD is a freestanding tent and staking out the floor is not necessary in order to pitch it. However, we recommend that you stake out the floor prior to inserting the poles for greater pitching ease and stability, especially in high winds.

First stake down the webbing loops at the rear of the tent at points A and D (Figure 2). Then move to the front of the tent and pull the webbing loops at points B and C until the floor is square and semi-taut and stake down. Finally stake out E and F, pulling the floor taut.

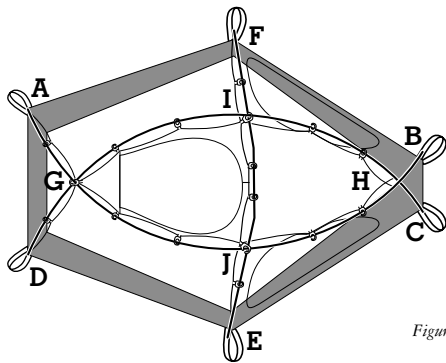


Figure 2: Tent Body (top view)

Erecting the Tent

Insert the metal tips of one of the 2 long poles into the grommets at points A and B, and the tips of the second long pole into the grommets at points C and D. Pick up pole C-D and hook the Clip-Loc™ over the pole at point I (figure 3). Do not engage the Clip-Loc at this time. Follow the same procedure with pole A-B, attaching but not engaging the Clip-Loc at point J. Next, attach but do not engage the Clip-Locs at points G and H, joining the pole intersections. Now attach the re-



maintaining Swift Clips™, designated with orange webbing, along both poles A-B and C-D.

Now place the pole tips of the arch pole into the grommets at points E and F. Attach the Clip-Locs at points I and J, joining the intersections. Attach the remaining Swift Clips along pole E-F, designated by gray webbing. Once all clips are attached to the poles you can engage the Clip-Locs by wrapping the elastic cord 2-3 times

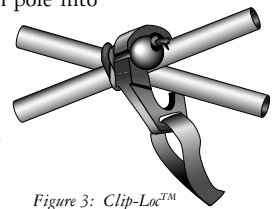


Figure 3: Clip-Loc™

around the pole intersection. Pass the beaded end of the elastic through the groove in the clip to hold it taut.

Flysheet

Drape the fly over the tent and position the zippers over the tent doors (Figure 4). Fasten the 5/8" side release buckles at points I, J, K, L, and M on the inside of the fly to the mate on the tent body. At points A, B, C, D, E and F are 3/4" Ladder-Loc™ fly attachments. Hook the grommet at the end of the adjustment strap over the pole tip at the corresponding tent corners (Figure 5). Adjust the straps until the fly is taut. Guying out points G and H is optional, but can increase ventilation. You can also guy out points I, J, K, L, and M for increased strength in severe conditions.

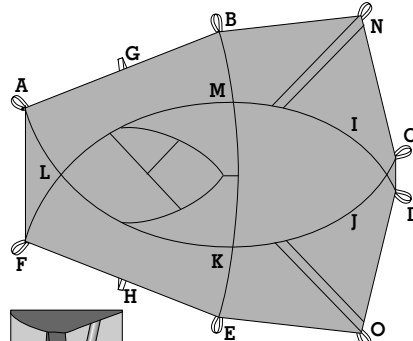


Figure 4: Flysheet (top view)

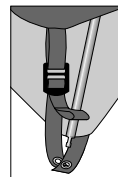


Figure 5: LadderLoc™

Vestibule Guy Out

Points N and O are equipped with a 3/4" LadderLoc adjustment. This adjustable guy-out attachment has a 2" loop pull tab at one end and a 4 1/2" stake-out loop at the other end (large enough to use a ski as a snow stake). The door of the vestibule can be rolled up and tied back, using the center release buckles, for increased ventilation.

Sol-Air Ceiling™

The Sol-Air Ceiling offers a variety of arrangements to allow for varying degrees of ventilation and convenience. The ceiling panel on the tent body features a ripstop nylon panel and a mesh panel, which both share one common zipper coil. This allows you to zip the mesh closed and the ripstop open at the same time, and vice versa. Each panel creates a pocket at the base of the panel to contain whichever panel is open, even if both panels are open.

The window panel on the rainfly is taped to be completely waterproof. To open the panel from inside the tent, unzip the 2 zippers and push the panel out so it lies outside the tent. Do not let the panel fall inside the tent, especially if there are water droplets on the outside of the panel. There are two rainflaps, connected by velcro, which protect the zipper. After opening and closing this panel, the velcro should be reattached.